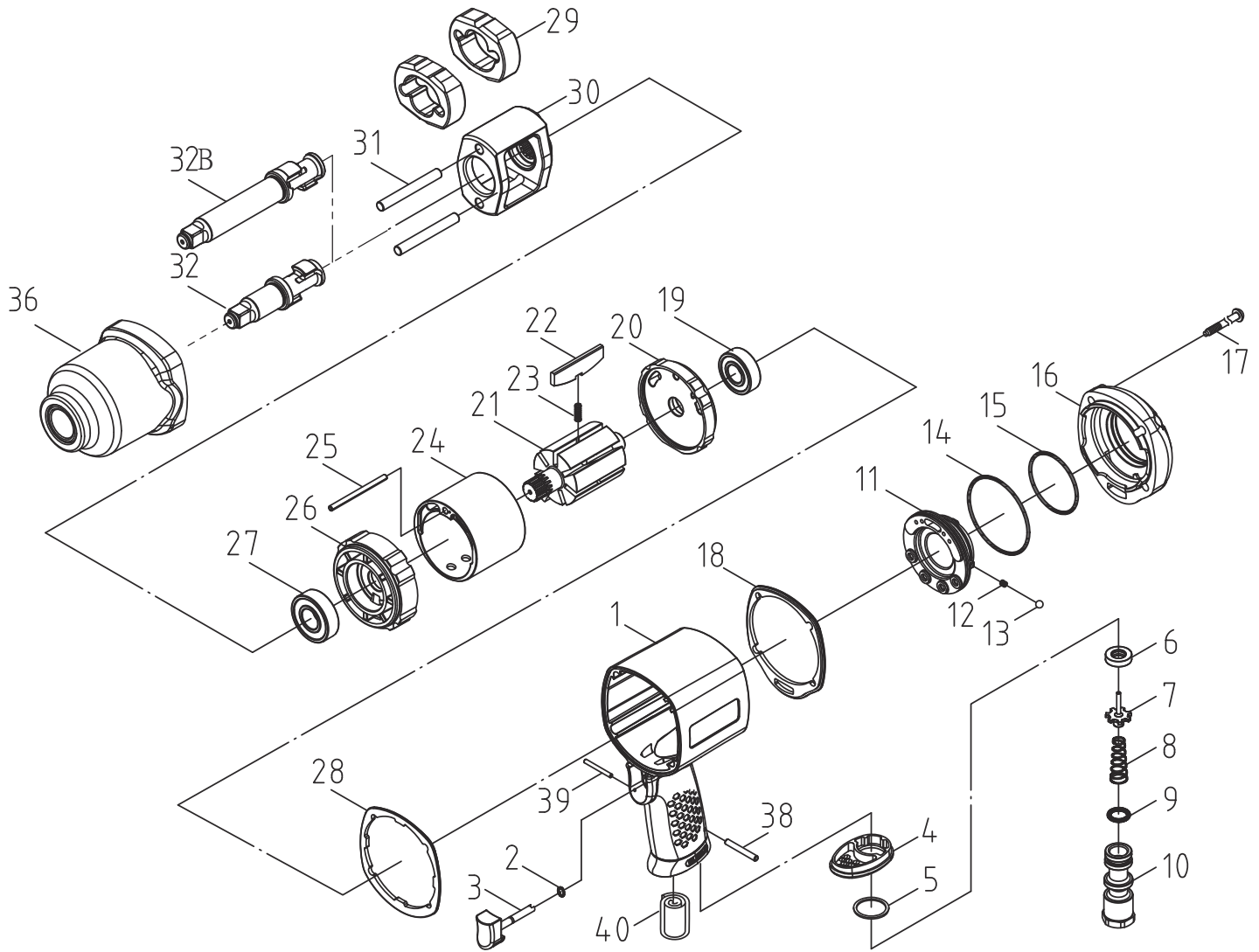


Technical Details	Speed	Square Drive	Max. Torque	Length	Weight	Air Consumption	Air Inlet	Noise (DB)	Uncertainty(DB)	Vibration	Working Pressure
	RPM		Nm/ft-lb	mm/inch	kg/lb	LPM / CFM	inch	LpA LwA	KpA KwA	m/s ²	Bar / PSI
26204	5,500	3/4	2236 (1650)	220 (8.66)	3.7 (8.1)	299.2 (10.57)	3/8	96.9 107.9	3	8.63	6.2 (90)
26204L				372 (14.66)	3.94 (8.67)			91.3 102.3		7.31	



Index No.	Description	Quantity	Index No.	Description	Quantity	Index No.	Description	Quantity
1	Housing	1	15	O-Ring	1	29	Hammer	2
2	O-Ring	1	16	Cover	1	30	Hammer Cage	1
3	Trigger	1	17	Screw	4	31	Hammer Pin	2
4	Exhaust Deflector	1	18	Packing	1	32	Anvil Set	1
5	Washer	1	19	Ball Bearing	1	32B	6" Anvil Set	1
6	Oil Seal	1	20	Rear Plate	1	36	Front Casing Set	1
7	Pin Valve Rod	1	21	Rotor	1	38	Spring Pin	1
8	Cone Spring	1	22	Blade	6	39	Spring Pin	1
9	O-Ring	1	23	Spring	6	40	Muffler Filter	1
10	Air Inlet	1	24	Cylinder	1			
11	Reverse Lever	1	25	Spring Pin	1			
12	Spring	1	26	Front Plate	1			
13	Steel Ball	1	27	Ball Bearing	1			
14	O-Ring	1	28	Packing	1			